

**NOTES**

ROOF SNOW LOAD (psf): MAX. 126 PSF USING MAX Pg=100 psf, ASCE 7-05 SNOWLOADING & ADDITIONAL FOS: 1=1.5

ALL DIMENSIONS ARE TO BE VERIFIED BY THE CONTRACTOR PRIOR TO FABRICATION/CONSTRUCTION. FRAMING LUMBER TO BE DOUGLAS FIR #2 OR BETTER.

PLYWOOD SHALL BE PER AMERICAN PLYWOOD ASSOCIATION SPECS.

ALL FRAMING DEVICES ARE SIMPSON "STRONG-TIE" CONNECTIONS. INSTALL DEVICES AND FILL ALL NAIL HOLES PER MANUFACTURER'S LITERATURE.

ALL NAILS SHALL BE COMMON. FOR NAILING NOT NOTED REFER TO IBC TABLE 2304.4.1. ALL NAILS INTO PRESSURE TREATED WOOD TO BE HOT DIPPED GALVANIZED.

FOR FRAMING DETAILS NOT SHOWN REFER TO IBC "CONVENTIONAL FRAMING" PROVISIONS.

MEMBERS IN CONTACT WITH CONCRETE OR MASONRY SHALL BE PRESSURE TREATED OR FOUNDATION GRADE REDWOOD. DO NOT PLACE ANY WOOD MEMBERS IN CONTACT WITH THE EARTH.

PLYWOOD SHEAR WALL PANEL VENEERS SHALL NOT BE BROKEN OR CRUSHED UPON THE INSTALLATION OF SHEAR WALL NAILING.

EXTERIOR FINISH OR SIDING OVER PANELS TO BE DETERMINED BY OWNER.

A SNOW SHED WILL HELP PREVENT SNOW AND ICE ACCUMULATION BUT IS NOT A SUBSTITUTE FOR THE UPKEEP AND MAINTENANCE OF THE ADJOINING RESIDENCE OR STRUCTURE. IT IS IMPORTANT TO KEEP GUTTERS FREE OF LEAVES AND DEBRIS, INCLUDING THOSE ABOVE OR NEAR THE NATURAL GAS METER. ALSO, NO SHED WILL PROTECT AGAINST FALLING ICE SHEETS, SO CARE MUST BE TAKEN TO PREVENT THE ACCUMULATION OF ICE THAT COULD RESULT IN AN ICE FALL.

**SOUTHWEST  
GAS METER SHED  
SOUTHWEST GAS CORP.  
Pg = 100 psf**

**GARY DAVIS GROUP  
DESIGN AND ENGINEERING**



post office box 7409  
phone city, ca 96145  
tel 530.583.9222 fax 530.583.9294  
garydavisgroup.com

|                |               |
|----------------|---------------|
| Project Number | 64310         |
| Designed By    | MA            |
| Drafted By     | GS            |
| Client Name    | SOUTHWEST GAS |
| Client Phone   |               |
| Revisions      |               |

All drawings and written material appearing herein constitute original and unpublished work of the engineer and may not be duplicated, used or disclosed without written consent of the engineer.

Description

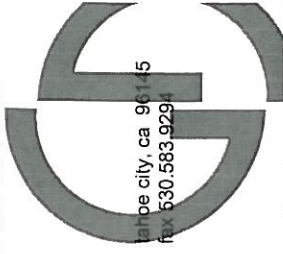
**NOTES  
SHED ROOF**

Scale 1/2" = 1'-0" UNO.  
File 643.10 Meter Shed.dwg  
Plot Date MAY 1, 2009

**S1.0A**

**SOUTHWEST  
GAS METER SHED  
SOUTHWEST GAS CORP.  
Pg = 100 psf**

**GARY DAVIS GROUP  
DESIGN AND ENGINEERING**



post office box 7409  
torrance city, ca 90505  
tel 530.583.9222 fax 530.583.9294  
garydavisgroup.com

|                |               |
|----------------|---------------|
| Project Number | 643.10        |
| Designed By    | MA            |
| Drafted By     | GS            |
| Client Name    | SOUTHWEST GAS |
| Client Phone   |               |
| Revisions      |               |

All drawings and written material appearing herein constitute original and unpublished work of the engineer and may not be duplicated, used or disclosed without written consent of the engineer.

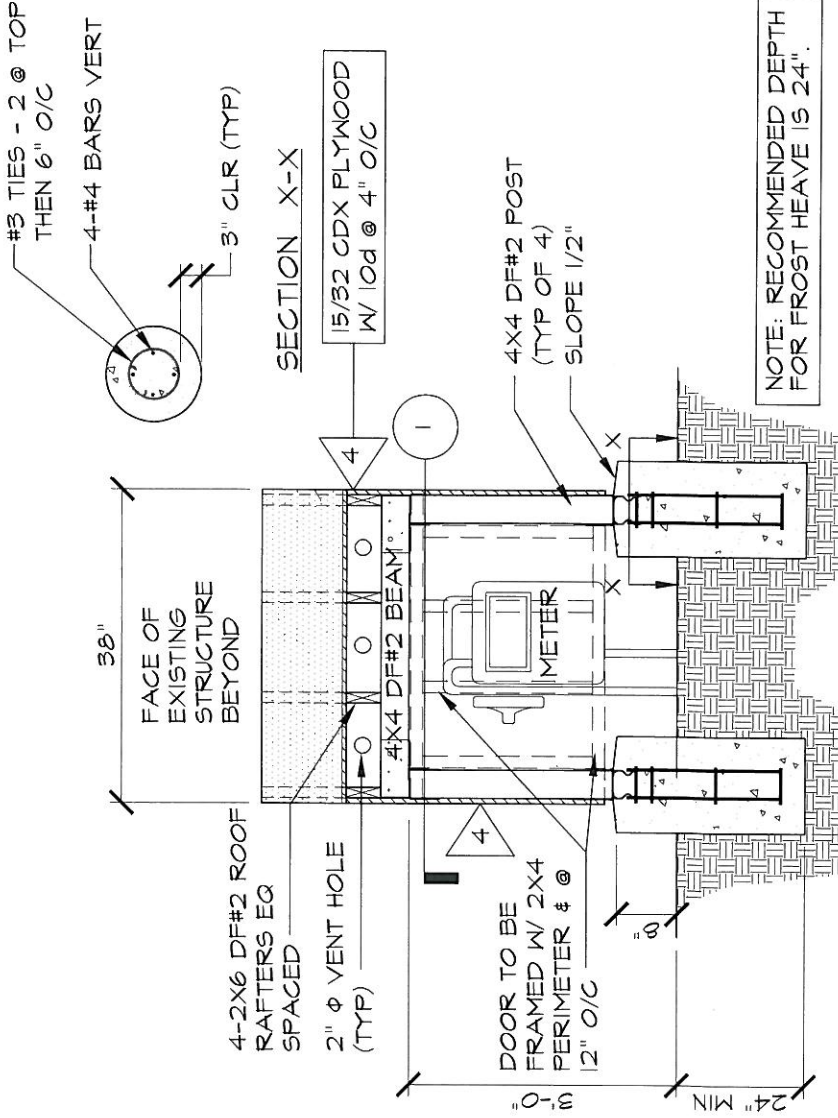
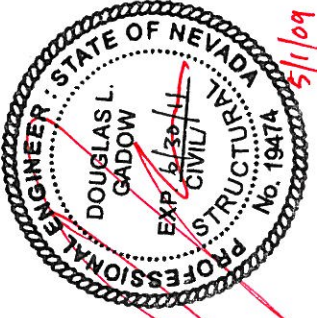
Description

**FRONT ELEVATION  
SHED ROOF**

Scale 1/2" = 1'-0" U.N.O.  
File 643.10 Meter Shed.dwg  
Plot Date MAY 1, 2004

**S1.0B**

# 2 OF 4 SHEETS



**FRONT ELEVATION**

**SOUTHWEST  
GAS METER SHED  
SOUTHWEST GAS CORP.  
Pg = 100 psf**

**GARY DAVIS GROUP  
DESIGN AND ENGINEERING**



post office box 7409  
torrance city, ca 90505  
tel 530.583.9222 fax 530.583.9224  
garydavisgroup.com

|                |               |
|----------------|---------------|
| Project Number | 643.10        |
| Designed By    | MA            |
| Drafted By     | GS            |
| Client Name    | SOUTHWEST GAS |
| Client Phone   |               |
| Revisions      |               |

All drawings and written material appearing herein constitute original and unpublished work of the engineer and may not be duplicated, used or disclosed without written consent of the engineer.

Description

**SIDE ELEVATION  
SHED ROOF**

Scale 1/2" = 1'-0" U.N.O.  
File 643.10 Meter Shed.dwg  
Plot Date MAY 1, 2009

**\$1.00**

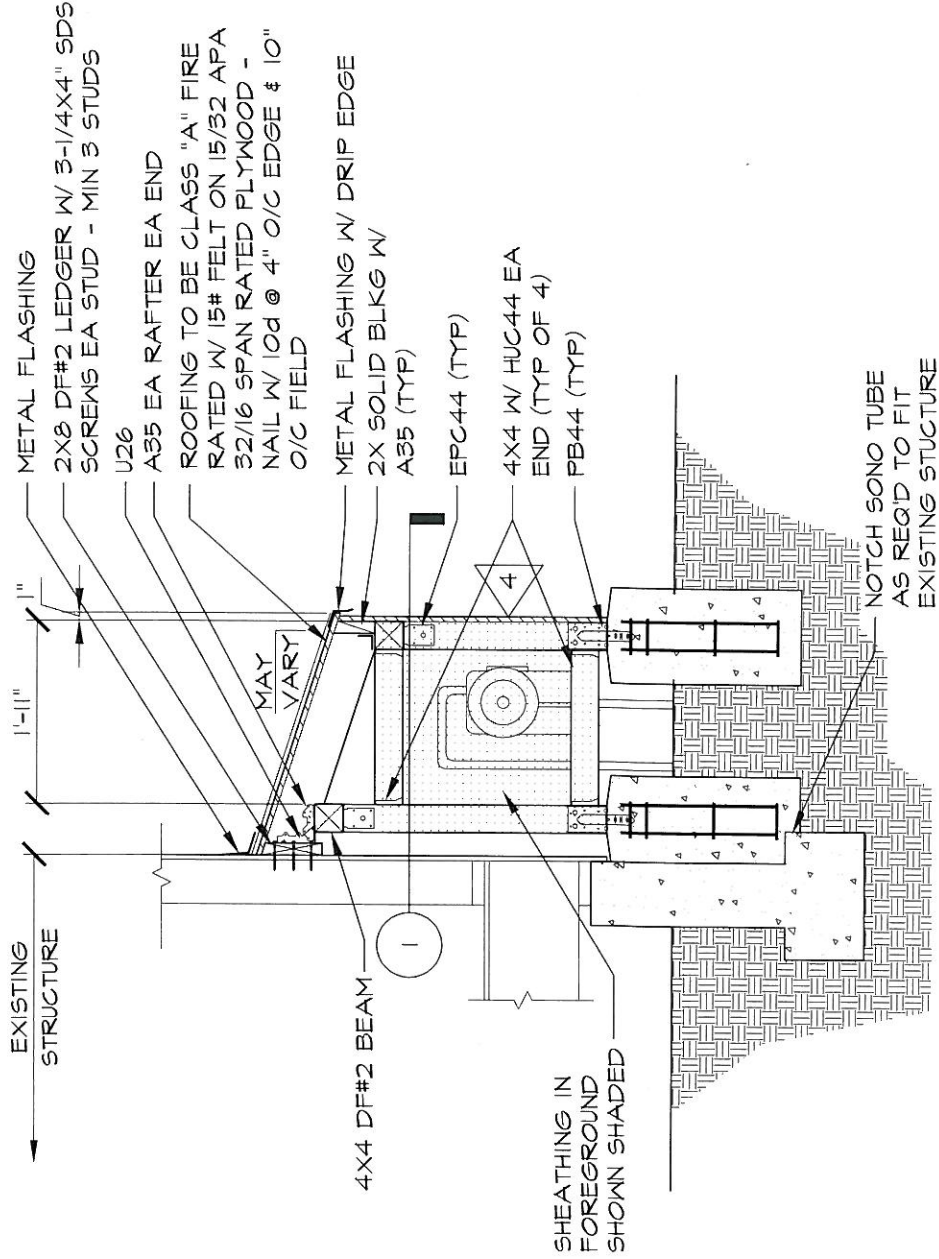
# 3 OF 4 SHEETS



5/1/09



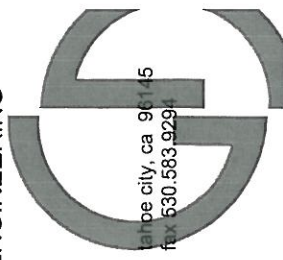
5/1/09



**SIDE ELEVATION**

**SOUTHWEST  
GAS METER SHED  
SOUTHWEST GAS CORP.  
Pg = 100 psf**

**GARY DAVIS GROUP  
DESIGN AND ENGINEERING**



post office box 7409 | Cape City, ca 96145  
tel 530.583.9222 | fax 530.583.9294  
garydavisgroup.com

|                |               |
|----------------|---------------|
| Project Number | 643.10        |
| Designed By    | MA            |
| Drafted By     | GS            |
| Client Name    | SOUTHWEST GAS |
| Client Phone   |               |
| Revisions      |               |

All drawings and written material appearing herein constitute original and unpublished work of the engineer and may not be duplicated, used or disclosed without written consent of the engineer.

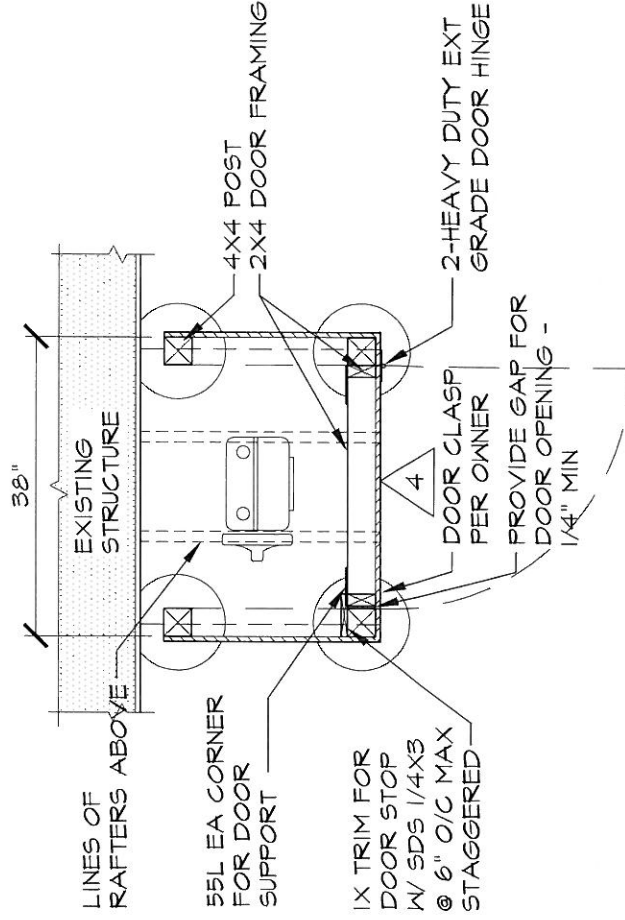
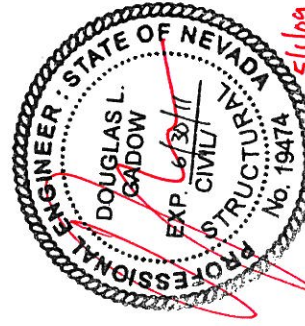
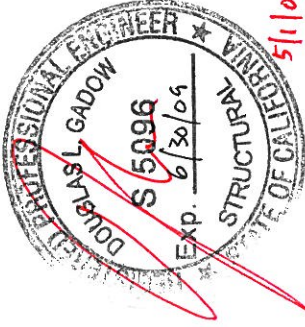
Description

**FRAMING PLAN  
SHED ROOF**

Scale 1/2" = 1'-0" UNO.  
File 643.10 Meter Shed.dwg  
Plot Date MAY 1, 2009

**S1.0D**

# 4 OF 4 SHEETS



**FRAMING PLAN**