

NOTES

ROOF SNOW LOAD (p_f): MAX. 126 PSF USING MAX P_g=100 psf, ASCE 7-05 SNOWLOADING & ADDITIONAL FOS: 1=1.5

ALL DIMENSIONS ARE TO BE VERIFIED BY THE CONTRACTOR PRIOR TO FABRICATION/CONSTRUCTION.

FRAMING LUMBER TO BE DOUGLAS FIR #2 OR BETTER.

PLYWOOD SHALL BE PER AMERICAN PLYWOOD ASSOCIATION SPECS.

ALL FRAMING DEVICES ARE SIMPSON "STRONG-TIE" CONNECTIONS. INSTALL DEVICES AND FILL ALL NAIL HOLES PER MANUFACTURER'S LITERATURE.

ALL NAILS SHALL BE COMMON. FOR NAILING NOT NOTED REFER TO IBC TABLE 2304.9.1. ALL NAILS INTO PRESSURE TREATED WOOD TO BE HOT DIPPED GALVANIZED.

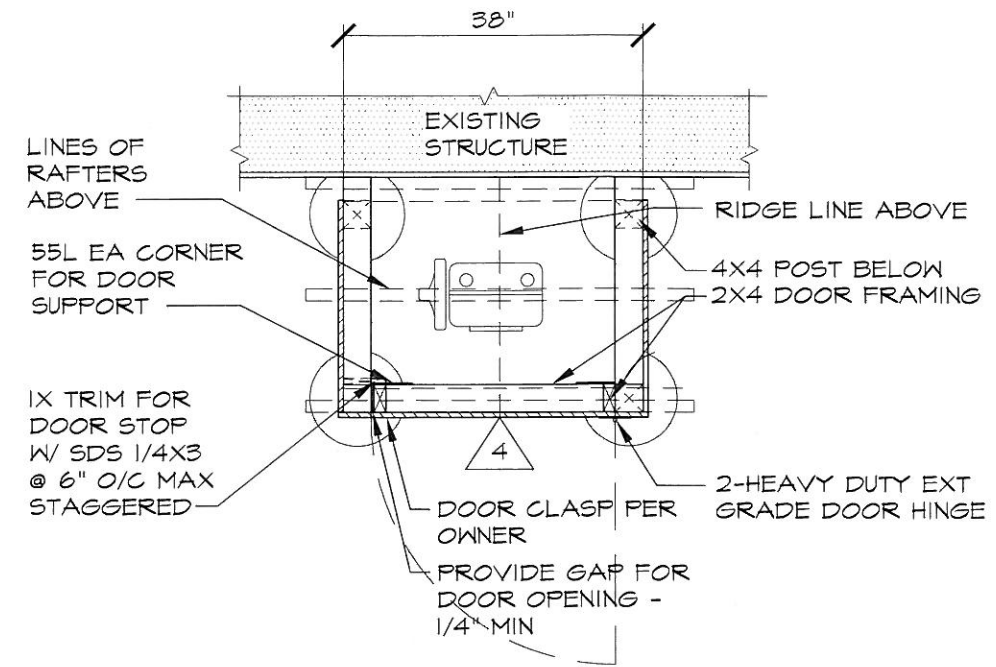
FOR FRAMING DETAILS NOT SHOWN REFER TO IBC "CONVENTIONAL FRAMING" PROVISIONS.

MEMBERS IN CONTACT WITH CONCRETE OR MASONRY SHALL BE PRESSURE TREATED OR FOUNDATION GRADE REDWOOD. DO NOT PLACE ANY WOOD MEMBERS IN CONTACT WITH THE EARTH.

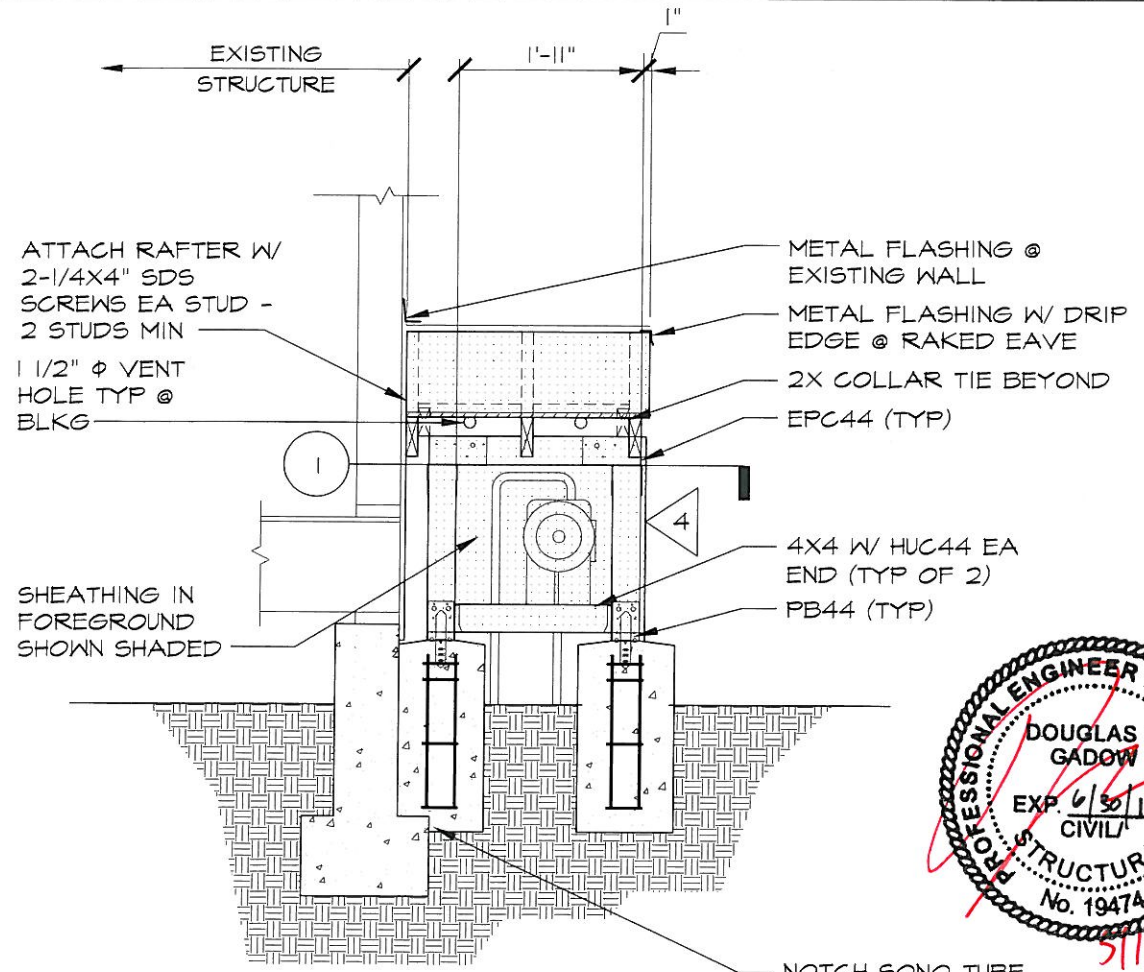
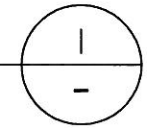
PLYWOOD SHEAR WALL PANEL VENEERS SHALL NOT BE BROKEN OR CRUSHED UPON THE INSTALLATION OF SHEAR WALL NAILING.

EXTERIOR FINISH OR SIDING OVER PANELS TO BE DETERMINED BY OWNER.

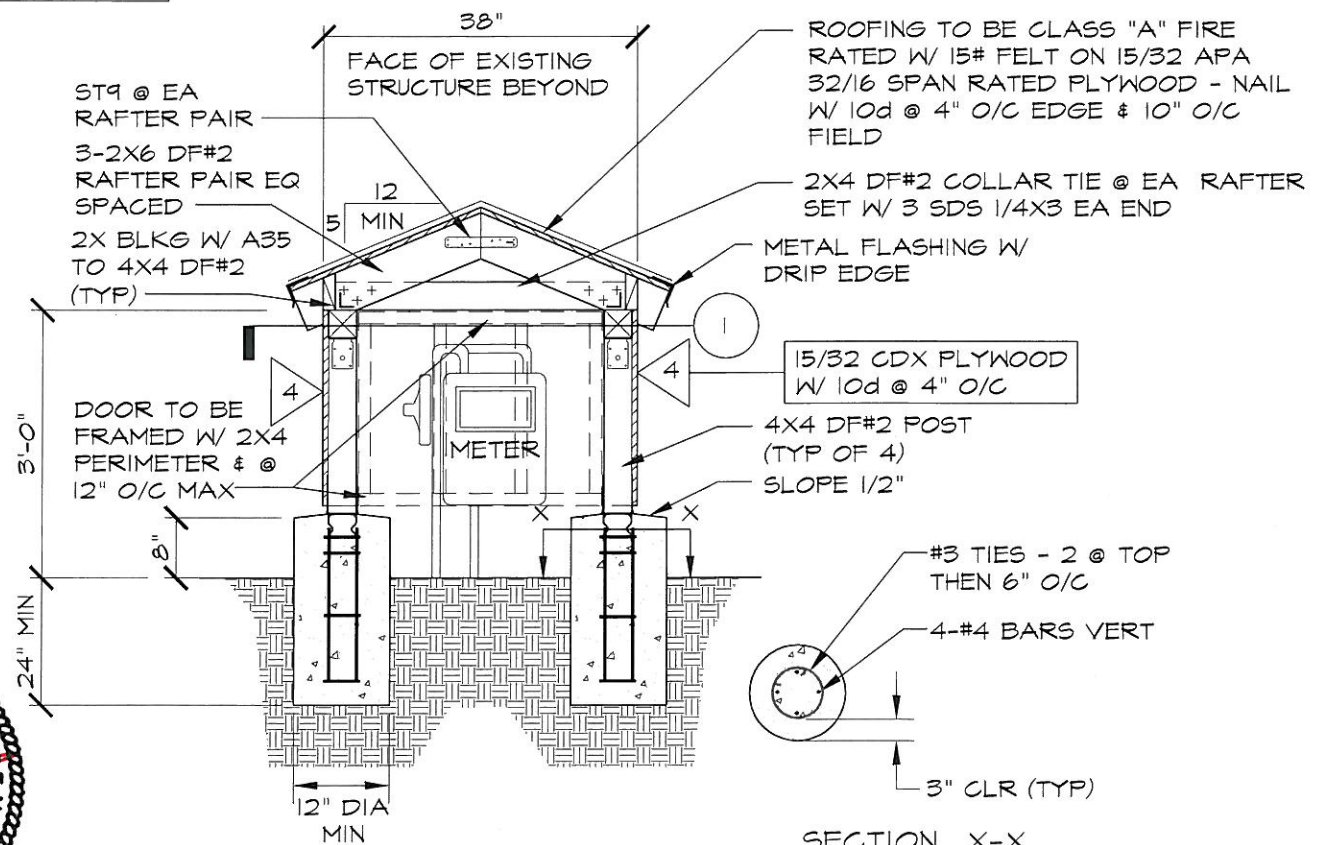
A SNOW SHED WILL HELP PREVENT SNOW AND ICE ACCUMULATION, BUT IS NOT A SUBSTITUTE FOR THE UPKEEP AND MAINTENANCE OF THE ADJOINING RESIDENCE OR STRUCTURE. IT IS IMPORTANT TO KEEP GUTTERS FREE OF LEAVES AND DEBRIS, INCLUDING THOSE ABOVE OR NEAR THE NATURAL GAS METER. ALSO, NO SHED WILL PROTECT AGAINST FALLING ICE SHEETS, SO CARE MUST BE TAKEN TO PREVENT THE ACCUMULATION OF ICE THAT COULD RESULT IN AN ICE FALL.



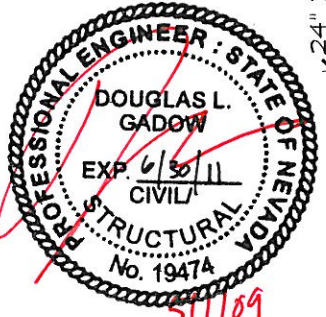
FRAMING PLAN



SIDE ELEVATION



FRONT ELEVATION



SOUTHWEST GAS METER SHED
Pg = 100 psf

SOUTHWEST GAS CORP.

APN: VARIES

GARY DAVIS GROUP
DESIGN AND ENGINEERING

post office box 7409 tahoe city, ca 96145
tel 530.583.9222 fax 530.583.9294

garydavisgroup.com



ISSUES & REVISIONS			
No.	Date	Issue & Revision	By

Designed By: MJA
Drafted By: GS
Checked By: MJA

Client Information: SOUTHWEST GAS CORP., GLEN SMITH

Project Number: 643.10

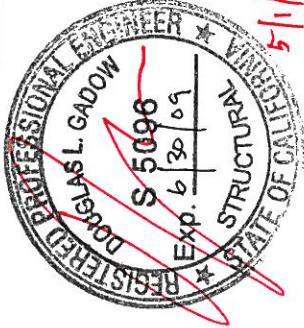
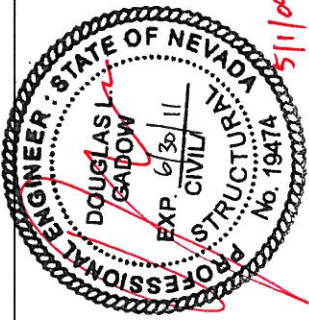
All drawings and written material appearing herein constitute original and unpublished work of the engineer and may not be duplicated, used or disclosed without written consent of the engineer. © GDG2009

GAS METER SHED GABLE ROOF

Scale: 1/2" = 1'-0" U.N.O.
File: 643.10 Meter Shed.dwg
Plot Date: MAY 1, 2009

\$1.0

1 OF 1 SHEETS



NOTES

ROOF SNOW LOAD (P_r): MAX. 126 PSF USING MAX P_g=100 psf, ASCE 7-05 SNOWLOADING & ADDITIONAL FOS: 1=1.5

ALL DIMENSIONS ARE TO BE VERIFIED BY THE CONTRACTOR PRIOR TO FABRICATION/CONSTRUCTION. FRAMING LUMBER TO BE DOUGLAS FIR #2 OR BETTER.

PLYWOOD SHALL BE PER AMERICAN PLYWOOD ASSOCIATION SPECS.

ALL FRAMING DEVICES ARE SIMPSON "STRONG-TIE" CONNECTIONS. INSTALL DEVICES AND FILL ALL NAIL HOLES PER MANUFACTURER'S LITERATURE.

ALL NAILS SHALL BE COMMON. FOR NAILING NOT NOTED REFER TO IBC TABLE 2304.4.1. ALL NAILS INTO PRESSURE TREATED WOOD TO BE HOT DIPPED GALVANIZED.

FOR FRAMING DETAILS NOT SHOWN REFER TO IBC "CONVENTIONAL FRAMING" PROVISIONS.

MEMBERS IN CONTACT WITH CONCRETE OR MASONRY SHALL BE PRESSURE TREATED OR FOUNDATION GRADE REDWOOD. DO NOT PLACE ANY WOOD MEMBERS IN CONTACT WITH THE EARTH.

PLYWOOD SHEAR WALL PANEL VENEERS SHALL NOT BE BROKEN OR CRUSHED UPON THE INSTALLATION OF SHEAR WALL NAILING.

EXTERIOR FINISH OR SIDING OVER PANELS TO BE DETERMINED BY OWNER.

A SNOW SHED WILL HELP PREVENT SNOW AND ICE ACCUMULATION, BUT IS NOT A SUBSTITUTE FOR THE UPKEEP AND MAINTENANCE OF THE ADJOINING RESIDENCE OR STRUCTURE. IT IS IMPORTANT TO KEEP GUTTERS FREE OF LEAVES AND DEBRIS, INCLUDING THOSE ABOVE OR NEAR THE NATURAL GAS METER. ALSO, NO SHED WILL PROTECT AGAINST FALLING ICE SHEETS, SO CARE MUST BE TAKEN TO PREVENT THE ACCUMULATION OF ICE THAT COULD RESULT IN AN ICE FALL.

**SOUTHWEST
GAS METER SHED
SOUTHWEST GAS CORP.
Pg = 100 psf**

**GARY DAVIS GROUP
DESIGN AND ENGINEERING**



post office box 7409
torrance city, ca 90504
tel 530.583.9222 fax 530.583.9294
garydavisgroup.com

Project Number	643.10
Designed By	MA
Drafted By	GS
Client Name	SOUTHWEST GAS
Client Phone	
Revisors	

All drawings and written material appearing herein constitute original and unpublished work of the engineer and may not be duplicated, used or disclosed without written consent of the engineer.

Description

**NOTES
GABLE ROOF**

Scale 1/2" = 1'-0" U.N.O.
File 643.10 Meter Shed.dwg
Plot Date MAY 1, 2009

S1.1A



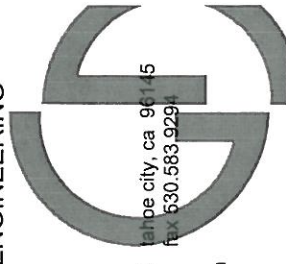
5/1/09



5/1/09

**SOUTHWEST
GAS METER SHED
SOUTHWEST GAS CORP.
Pg = 100 psf**

**GARY DAVIS GROUP
DESIGN AND ENGINEERING**



post office box 7409
tahoe city, ca 96145
tel 530.583.9222 fax 530.583.9294
garydavisgroup.com

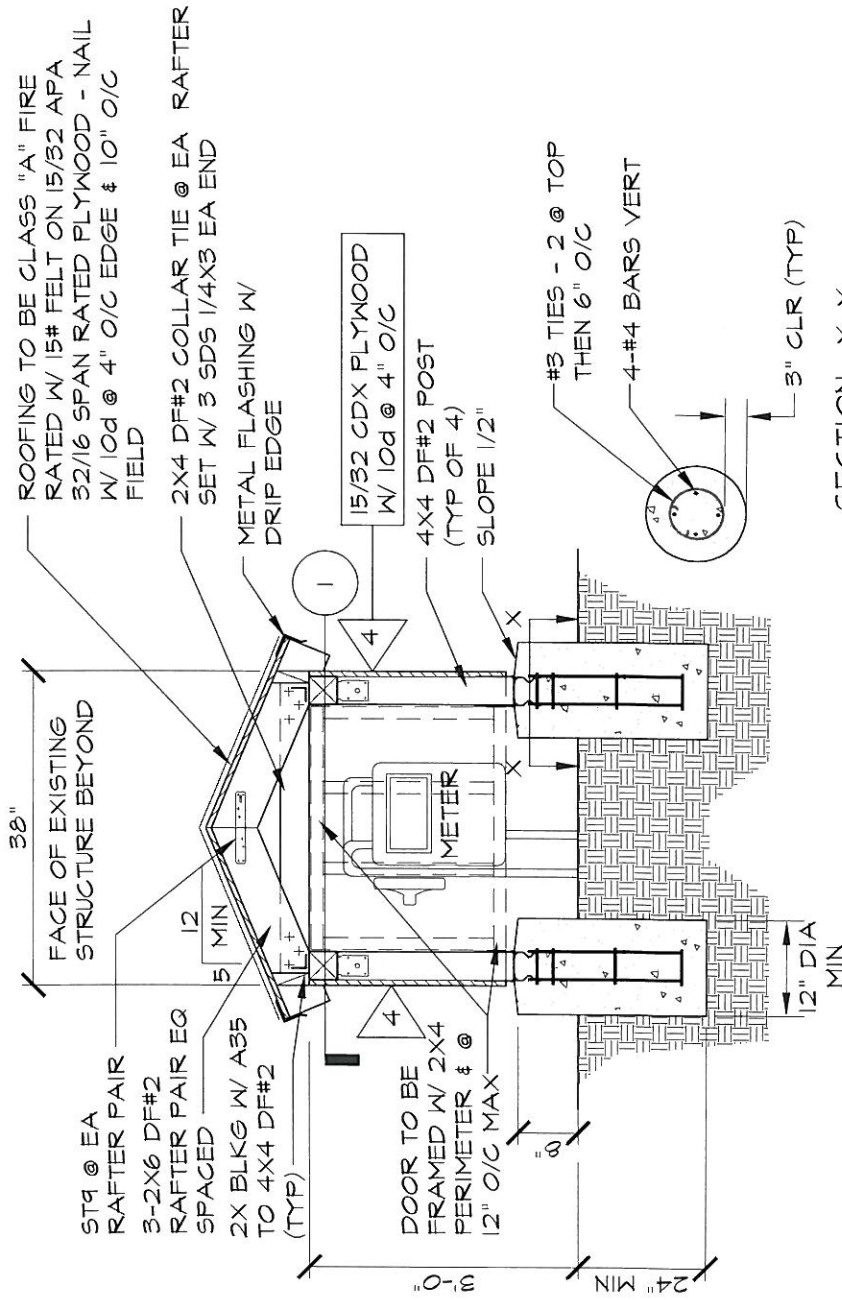
Project Number	643.10
Designed By	MA
Drafted By	GS
Client Name	SOUTHWEST GAS
Client Phone	
Revisions	

All drawings and written material appearing herein constitute original and unpublished work of the engineer and may not be duplicated, used or disclosed without written consent of the engineer.

**FRONT ELEVATION
GABLE ROOF**

Scale 1/2" = 1'-0" U.N.O.
File 643.10 Meter Shed.dwg
Plot Date MAY 1, 2009

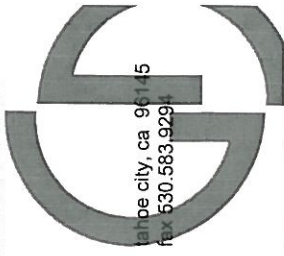
S1.1B



FRONT ELEVATION

**SOUTHWEST
GAS METER SHED
SOUTHWEST GAS CORP.
Pg = 100 psf**

**GARY DAVIS GROUP
DESIGN AND ENGINEERING**



post office box 7409
tampa city, ca 93145
tel 530.583.9222 fax 530.583.9294
garydavisgroup.com

Project Number	643.10
Designed By	MA
Drafted By	GS
Client Name	SOUTHWEST GAS
Client Phone	
Revisions	

All drawings and written material appearing herein constitute original and unpublished work of the engineer and may not be duplicated, used or disclosed without written consent of the engineer.

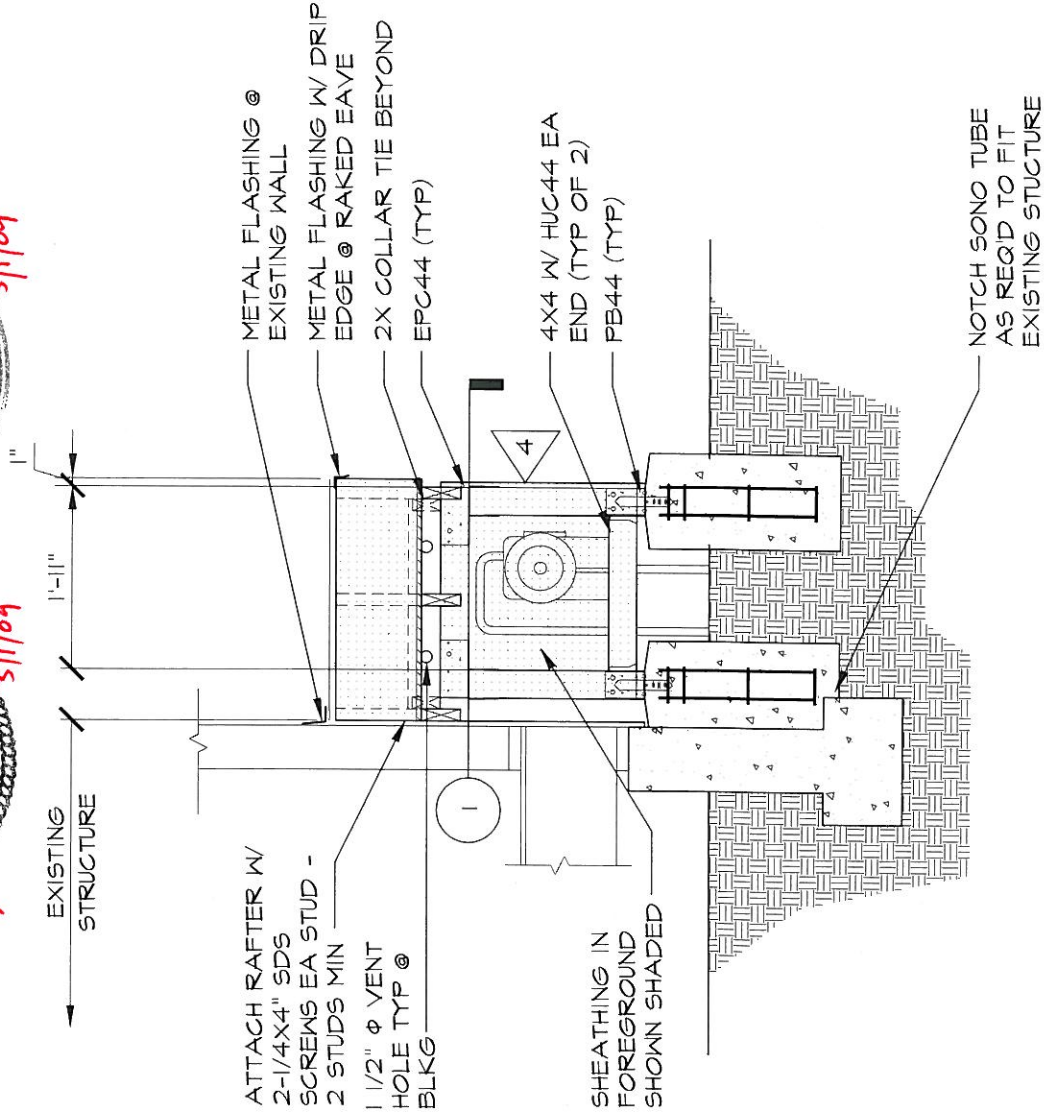
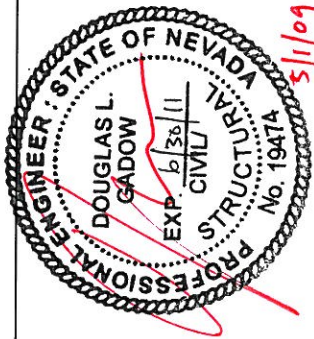
Description

**SIDE ELEVATION
GABLE ROOF**

Scale 1/2" = 1'-0" U.N.O.
File 643.10 Meter Shed.dwg
Plot Date MAY 1, 2009

S1.1C

3 OF 4 SHEETS



SIDE ELEVATION

**SOUTHWEST
GAS METER SHED
SOUTHWEST GAS CORP.
Pg = 100 psf**

**GARY DAVIS GROUP
DESIGN AND ENGINEERING**



post office box 7409 San Jose city, ca 95115
tel 530.583.9222 fax 530.583.9294
garydavisgroup.com

Project Number	643.10
Designed By	MA
Drafted By	GS
Client Name	SOUTHWEST GAS
Client Phone	
Revisors	

All drawings and written material appearing herein constitute original and unpublished work of the engineer and may not be duplicated, used or disclosed without written consent of the engineer.

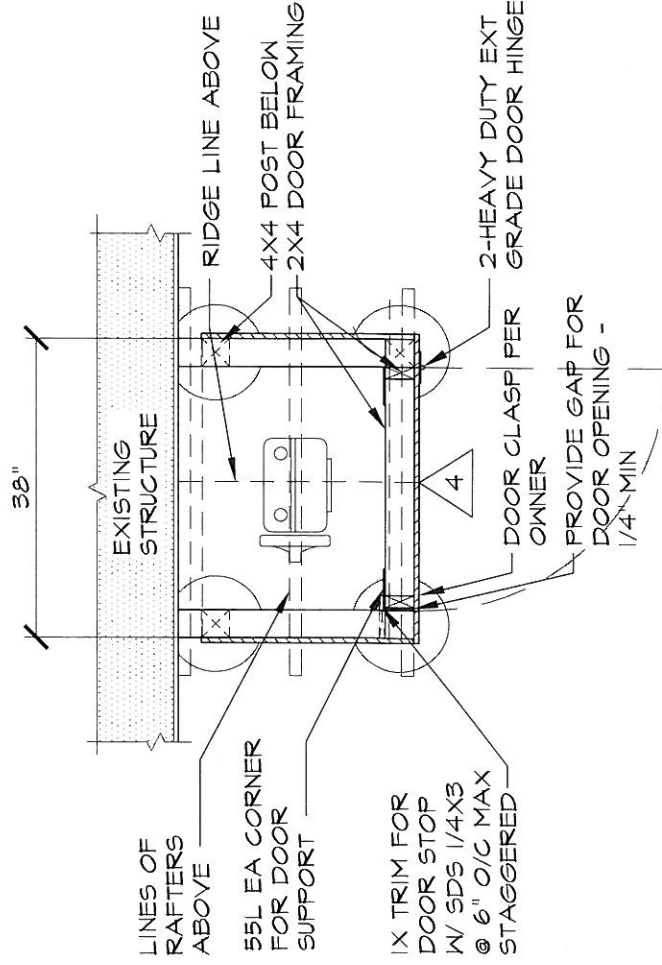
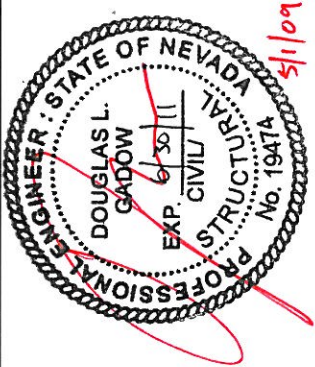
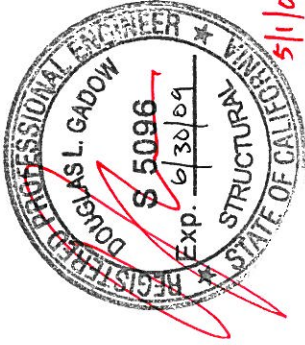
Description

**FRAMING PLAN
GABLE ROOF**

Scale 1/2" = 1'-0" U.N.O.
File 643.10 Meter Shed.dwg
Plot Date MAY 1, 2009

S1.1D

4 OF 4 SHEETS



FRAMING PLAN

